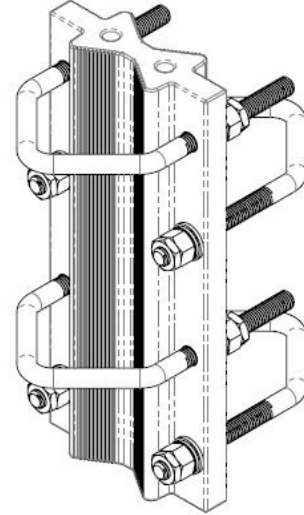


## Extruded Parallel Tube Clamp, 50 - 76mm

### DESCRIPTION

Use to securely attach stub-base type omni antennas to a vertical pole or mast. Supplied with stainless steel V-bolts to suit 50 - 76 mm diameter tubes.



### ORDERING

Type	Product No.
Extruded Parallel Tube Clamp, 50 - 76mm	ETC-250

### SPECIFICATIONS

Mechanical	
Clamp Type	Parallel clamp
Materials	Clamp body - aluminium, plated Surtec 650 fixings - stainless steel A4
Tube 1 Size	50 - 76 mm / 2 - 3 in.
Tube 2 Size	50 - 76 mm / 2 - 3 in.

