



## PRO-DIPX 520/790-2700-...

50 W Diplexer for the 0 - 520 MHz and 790 - 2700 MHz Ranges

- Diplexer for combining or splitting the two ranges 0 - 520 MHz and 790 - 2700 MHz.
- IP67 rated for both indoor and outdoor use.

### DESCRIPTION

- Chebychev filter design ensures very high isolation across the entire pass ranges.
- Very low insertion loss.
- Wide temperature range.
- 7/16 DIN-female or N-female connectors on all ports.
- Coated with 2-component lacquer for maximum weather protection.

### ORDERING DESIGNATIONS

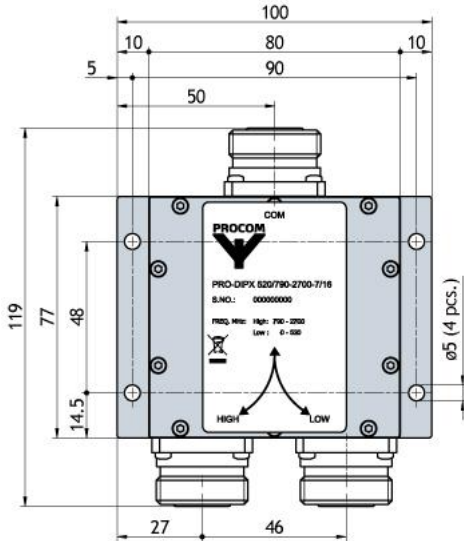
TYPE	PRODUCT NO.
PRO-DIPX 520/790-2700-7/16(f)	200002445
PRO-DIPX 520/790-2700-N(f)	200002501

### SPECIFICATIONS

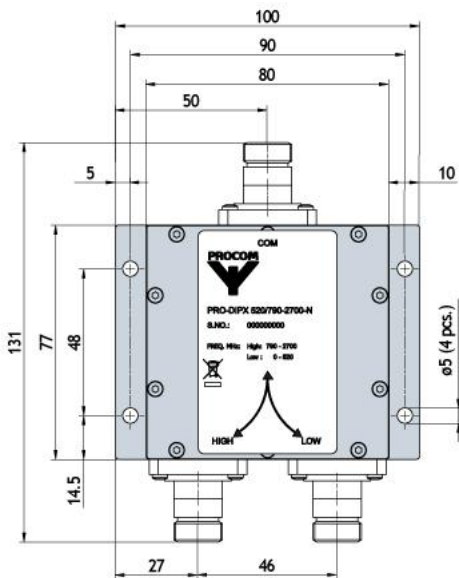
ELECTRICAL	
MODEL	PRO-DIPX 520/790-2700-...
FREQUENCY	COM-LOW port : 0 - 520 MHz COM-HIGH port : 790 - 2700 MHz
MAX. RF POWER	50 W CW simultaneously on both HIGH and LOW port
INSERTION LOSS	0 - 520 MHz : ≤ 0.6 dB, typ. < 0.5 dB 790 - 870 MHz : ≤ 1.2 dB, typ. < 0.9 dB 870 - 2700 MHz : ≤ 1.0 dB, typ. < 0.7 dB
ISOLATION	LOW to HIGH port: ≥ 70 dB, typ. 80 dB
IMPEDANCE	Nom. 50 Ω
SWR	Max. 1.5:1 on all ports
PIM	< -130 dBc @ 2 x 43 dBm
MECHANICAL	
TEMP. RANGE	-30° C → +60° C
IP rating	IP67
CONNECTORS	7/16 DIN-female or N-female
DIMENSIONS (L x W x H)	120 x 100 x 41 mm / 4.72 x 3.94 x 1.61 in. (incl. connectors and flanges)
WEIGHT	Approx. 800 g / 1.76 lb.
MOUNTING	∅5.2 mm / ∅0.20 in. (4 holes)

### MOUNTING DETAILS FOR PRO-DIPX 520/790-2700-7/16





**MOUNTING DETAILS FOR PRO-DIPX 520/790-2700-N**



**TYPICAL RESPONSE CURVES**

