




ADC-xx-WBM-LP-43F-CC

Directional Coupler | 698-2700 MHz | 4.3-10-Female



This model is available in iBwave Designer Version 6.0 and higher

ORDERING OPTIONS	3 dB COUPLER	6 dB COUPLER	10 dB COUPLER
MODEL NUMBER (xx)	ADC-03-WBM-LP-43F-CC	ADC-06-WBM-LP-43F-CC	ADC-10-WBM-LP-43F-CC
			

ELECTRICAL CHARACTERISTICS

FREQUENCY RANGE	698-2700 MHz	698-2700 MHz	698-2700 MHz
COUPLING	3 dB	6 dB	10 dB
COUPLING TOLERANCE	± 0.8 dB	± 0.8 dB	± 1.0 dB
INSERTION LOSS	≤ 3.6 dB	≤ 1.7 dB	≤ 0.7 dB
DISSIPATIVE LOSS (Typ.)	≤ 0.2 dB	≤ 0.15 dB	≤ 0.1 dB
DIRECTIVITY	≥ 20 dB	≥ 20 dB	≥ 20 dB
ISOLATION	≥ 23 dB	≥ 26 dB	≥ 30 dB
VSWR	≤ 1.20	≤ 1.20	≤ 1.20
AVERAGE POWER (Max.)	400 W	400 W	400 W
PEAK POWER (Max.)	1.3 kW	1.3 kW	1.3 kW
PIM3 (2x43 dBm)	≤ -153 dBc	≤ -153 dBc	≤ -153 dBc
IMPEDANCE	50 Ω	50 Ω	50 Ω

MECHANICAL CHARACTERISTICS

PLATING	INNER CONTACT	Silver	Silver	Silver
	OUTER TRIMETAL	Trimetal	Trimetal	Trimetal
CONNECTOR	4.3-10-Female			
COLOR	Black			
WEIGHT (Approx.)	0.56 kg [1.23 lb.]			
MOUNTING	ø5.5 mm [0.22 in.] (two holes)			

ENVIRONMENTAL CHARACTERISTIC

OPERATING TEMPERATURE	-35° C to +70° C [-31° F to +158° F]	-35° C to +70° C [-31° F to +158° F]	-35° C to +70° C [-31° F to +158° F]
RELATIVE HUMIDITY	Up to 95%	Up to 95%	Up to 95%
RoHS COMPLIANT	Yes	Yes	Yes
APPLICATION	Indoor / Outdoor	Indoor / Outdoor	Indoor / Outdoor
IP RATING	IP 65	IP 65	IP 65




Quoted performance parameters are provided to offer typical, peak or range values only and may vary as a result of normal testing, manufacturing and operational conditions. Extreme operational conditions and/or stress on structural supports is beyond our control. Such conditions may result in damage to this product. Improvements to products may be made without notice.

ADC-xx-WBS-LP-NF-CC

Directional Coupler | 380-2700 MHz | N-Female



This model is available in iBwave Designer Version 6.0 and higher

ORDERING OPTIONS	3 dB COUPLER	6 dB COUPLER	10 dB COUPLER
MODEL NUMBER (xx)	ADC-03-WBS-LP-NF-CC	ADC-06-WBS-LP-NF-CC	ADC-10-WBS-LP-NF-CC
			

ELECTRICAL CHARACTERISTICS

FREQUENCY RANGE	380-2700 MHz	380-2700 MHz	380-2700 MHz
COUPLING	3 dB	6 dB	10 dB
COUPLING TOLERANCE	± 1.2 dB	± 1.2 dB	± 1.2 dB
INSERTION LOSS	≤ 3.6 dB	≤ 1.7 dB	≤ 0.7 dB
DISSIPATIVE LOSS (Typ.)	≤ 0.2 dB	≤ 0.15 dB	≤ 0.1 dB
DIRECTIVITY	≥ 20 dB	≥ 20 dB	≥ 20 dB
ISOLATION	≥ 23 dB	≥ 26 dB	≥ 30 dB
VSWR	≤ 1.25	≤ 1.25	≤ 1.25
AVERAGE POWER (Max.)	300 W	300 W	300 W
PEAK POWER (Max.)	1.5 kW	1.5 kW	1.5 kW
PIM3 (2x43 dBm)	≤ -153 dBc	≤ -153 dBc	≤ -153 dBc
IMPEDANCE	50 Ω	50 Ω	50 Ω

MECHANICAL CHARACTERISTICS

PLATING	INNER CONTACT	Silver	Silver	Silver
	OUTER TRIMETAL	Trimetal	Trimetal	Trimetal
CONNECTOR		N-Female	N-Female	N-Female
COLOR		Black	Black	Black
WEIGHT (Approx.)		0.66 kg [1.5 lb.]	0.66 kg [1.5 lb.]	0.66 kg [1.5 lb.]
MOUNTING		ø4.5 mm [0.18 in.] (two holes)	ø4.5 mm [0.18 in.] (two holes)	ø4.5 mm [0.18 in.] (two holes)




ENVIRONMENTAL CHARACTERISTIC

OPERATING TEMPERATURE	-35° C to +70° C [-31° F to +158° F]	-35° C to +70° C [-31° F to +158° F]	-35° C to +70° C [-31° F to +158° F]
RELATIVE HUMIDITY	Up to 95%	Up to 95%	Up to 95%
RoHS COMPLIANT	Yes	Yes	Yes
APPLICATION	Indoor / Outdoor	Indoor / Outdoor	Indoor / Outdoor
IP RATING	IP 65	IP 65	IP 65

Quoted performance parameters are provided to offer typical, peak or range values only and may vary as a result of normal testing, manufacturing and operational conditions. Extreme operational conditions and/or stress on structural supports is beyond our control. Such conditions may result in damage to this product. Improvements to products may be made without notice.

ADC-xx-WBS-LP-NF-CC

Directional Coupler | 380-2700 MHz | N-Female

ORDERING OPTIONS	15 dB COUPLER	20 dB COUPLER	30 dB COUPLER
MODEL NUMBER (xx)	ADC-15-WBS-LP-NF-CC	ADC-20-WBS-LP-NF-CC	ADC-30-WBS-LP-NF-CC
			

ELECTRICAL CHARACTERISTICS

FREQUENCY RANGE	380-2700 MHz	380-2700 MHz	380-2700 MHz
COUPLING	15 dB	20 dB	30 dB
COUPLING TOLERANCE	± 1.2 dB	± 1.2 dB	± 1.2 dB
INSERTION LOSS	≤ 0.4 dB	≤ 0.2 dB	≤ 0.2 dB
DISSIPATIVE LOSS (Typ.)	≤ 0.1 dB	≤ 0.1 dB	≤ 0.1 dB
DIRECTIVITY	≥ 20 dB	≥ 20 dB	≥ 20 dB
ISOLATION	≥ 35 dB	≥ 40 dB	≥ 50 dB
VSWR	≤ 1.25	≤ 1.25	≤ 1.25
AVERAGE POWER (Max.)	300 W	300 W	300 W
PEAK POWER (Max.)	1.5 kW	1.5 kW	1.5 kW
PIM3 (2x43 dBm)	≤ -153 dBc	≤ -153 dBc	≤ -153 dBc
IMPEDANCE	50 Ω	50 Ω	50 Ω

MECHANICAL CHARACTERISTICS

PLATING	INNER CONTACT	Silver	Silver	Silver
	OUTER TRIMETAL	Trimetal	Trimetal	Trimetal
CONNECTOR		N-Female	N-Female	N-Female
COLOR		Black	Black	Black
WEIGHT (Approx.)		0.66 kg [1.5 lb.]	0.66 kg [1.5 lb.]	0.66 kg [1.5 lb.]
MOUNTING		ø4.5 mm [0.18 in.] (two holes)	ø4.5 mm [0.18 in.] (two holes)	ø4.5 mm [0.18 in.] (two holes)

ENVIRONMENTAL CHARACTERISTIC

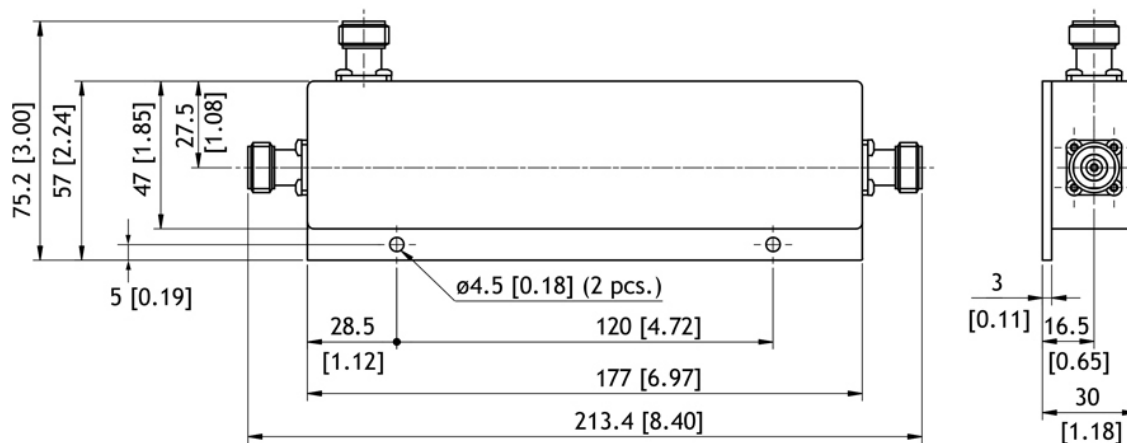
OPERATING TEMPERATURE	-35° C to +70° C [-31° F to +158° F]	-35° C to +70° C [-31° F to +158° F]	-35° C to +70° C [-31° F to +158° F]
RELATIVE HUMIDITY	Up to 95%	Up to 95%	Up to 95%
RoHS COMPLIANT	Yes	Yes	Yes
APPLICATION	Indoor / Outdoor	Indoor / Outdoor	Indoor / Outdoor
IP RATING	IP 65	IP 65	IP 65

Quoted performance parameters are provided to offer typical, peak or range values only and may vary as a result of normal testing, manufacturing and operational conditions. Extreme operational conditions and/or stress on structural supports is beyond our control. Such conditions may result in damage to this product. Improvements to products may be made without notice.

ADC-xx-WBS-LP-NF-CC

Directional Coupler | 380-2700 MHz | N-Female

DIMENSIONAL DRAWING






All dimensions are given in mm [in.]

ADC-xx-WBS-LP-DF-CC

Directional Coupler | 380-2700 MHz | 7/16-DIN-Female



This model is available in iBwave Designer Version 6.0 and higher

ORDERING OPTIONS	3 dB COUPLER	6 dB COUPLER	10 dB COUPLER
MODEL NUMBER (xx)	ADC-03-WBS-LP-DF-CC	ADC-06-WBS-LP-DF-CC	ADC-10-WBS-LP-DF-CC
			

ELECTRICAL CHARACTERISTICS

FREQUENCY RANGE	380-2700 MHz	380-2700 MHz	380-2700 MHz
COUPLING	3 dB	6 dB	10 dB
COUPLING TOLERANCE	± 1.2 dB	± 1.2 dB	± 1.2 dB
INSERTION LOSS	≤ 3.6 dB	≤ 1.7 dB	≤ 0.7 dB
DISSIPATIVE LOSS (Typ.)	≤ 0.2 dB	≤ 0.15 dB	≤ 0.1 dB
DIRECTIVITY	≥ 20 dB	≥ 20 dB	≥ 20 dB
ISOLATION	≥ 23 dB	≥ 26 dB	≥ 30 dB
VSWR	≤ 1.25	≤ 1.25	≤ 1.25
AVERAGE POWER (Max.)	500 W	500 W	500 W
PEAK POWER (Max.)	1.5 kW	1.5 kW	1.5 kW
PIM3 (2x43 dBm)	≤ -153 dBc	≤ -153 dBc	≤ -153 dBc
IMPEDANCE	50 Ω	50 Ω	50 Ω

MECHANICAL CHARACTERISTICS

PLATING	INNER CONTACT	Silver	Silver	Silver
	OUTER TRIMETAL	Trimetal	Trimetal	Trimetal
CONNECTOR	7/16-DIN-Female			7/16-DIN-Female
COLOR	Black			Black
WEIGHT (Approx.)	0.88 kg [1.9 lb.]			0.88 kg [1.9 lb.]
MOUNTING	ø4.5 mm [0.18 in.] (two holes)			ø4.5 mm [0.18 in.] (two holes)




ENVIRONMENTAL CHARACTERISTIC

OPERATING TEMPERATURE	-35° C to +70° C [-31° F to +158° F]	-35° C to +70° C [-31° F to +158° F]	-35° C to +70° C [-31° F to +158° F]
RELATIVE HUMIDITY	Up to 95%	Up to 95%	Up to 95%
RoHS COMPLIANT	Yes	Yes	Yes
APPLICATION	Indoor / Outdoor	Indoor / Outdoor	Indoor / Outdoor
IP RATING	IP 65	IP 65	IP 65

Quoted performance parameters are provided to offer typical, peak or range values only and may vary as a result of normal testing, manufacturing and operational conditions. Extreme operational conditions and/or stress on structural supports is beyond our control. Such conditions may result in damage to this product. Improvements to products may be made without notice.

ADC-xx-WBS-LP-DF-CC

Directional Coupler | 380-2700 MHz | 7/16-DIN-Female

ORDERING OPTIONS	15 dB COUPLER	20 dB COUPLER	30 dB COUPLER
MODEL NUMBER (xx)	ADC-15-WBS-LP-DF-CC	ADC-20-WBS-LP-DF-CC	ADC-30-WBS-LP-DF-CC
			

ELECTRICAL CHARACTERISTICS			
FREQUENCY RANGE	380-2700 MHz	380-2700 MHz	380-2700 MHz
COUPLING	15 dB	20 dB	30 dB
COUPLING TOLERANCE	± 1.2 dB	± 1.2 dB	± 1.2 dB
INSERTION LOSS	≤ 0.4 dB	≤ 0.2 dB	≤ 0.2 dB
DISSIPATIVE LOSS (Typ.)	≤ 0.1 dB	≤ 0.1 dB	≤ 0.1 dB
DIRECTIVITY	≥ 20 dB	≥ 20 dB	≥ 20 dB
ISOLATION	≥ 35 dB	≥ 40 dB	≥ 50 dB
VSWR	≤ 1.25	≤ 1.25	≤ 1.25
AVERAGE POWER (Max.)	500 W	500 W	500 W
PEAK POWER (Max.)	1.5 kW	1.5 kW	1.5 kW
PIM3 (2x43 dBm)	≤ -153 dBc	≤ -153 dBc	≤ -153 dBc
IMPEDANCE	50 Ω	50 Ω	50 Ω

MECHANICAL CHARACTERISTICS				
PLATING	INNER CONTACT	Silver	Silver	Silver
	OUTER TRIMETAL	Trimetal	Trimetal	Trimetal
CONNECTOR		7/16-DIN-Female	7/16-DIN-Female	7/16-DIN-Female
COLOR		Black	Black	Black
WEIGHT (Approx.)		0.88 kg [1.9 lb.]	0.88 kg [1.9 lb.]	0.88 kg [1.9 lb.]
MOUNTING		ø4.5 mm [0.18 in.] (two holes)	ø4.5 mm [0.18 in.] (two holes)	ø4.5 mm [0.18 in.] (two holes)

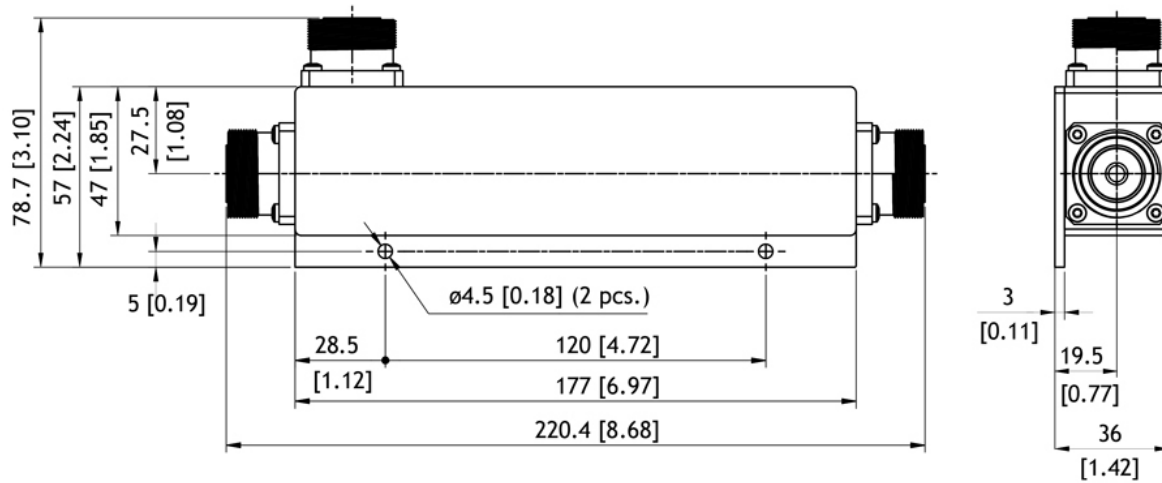
ENVIRONMENTAL CHARACTERISTIC			
OPERATING TEMPERATURE	-35° C to +70° C [-31° F to +158° F]	-35° C to +70° C [-31° F to +158° F]	-35° C to +70° C [-31° F to +158° F]
RELATIVE HUMIDITY	Up to 95%	Up to 95%	Up to 95%
RoHS COMPLIANT	Yes	Yes	Yes
APPLICATION	Indoor / Outdoor	Indoor / Outdoor	Indoor / Outdoor
IP RATING	IP 65	IP 65	IP 65

Quoted performance parameters are provided to offer typical, peak or range values only and may vary as a result of normal testing, manufacturing and operational conditions. Extreme operational conditions and/or stress on structural supports is beyond our control. Such conditions may result in damage to this product. Improvements to products may be made without notice.

ADC-xx-WBS-LP-DF-CC

Directional Coupler | 380-2700 MHz | 7/16-DIN-Female

DIMENSIONAL DRAWING






All dimensions are given in mm [in.]

ADC-xx-WBS-LP-43F-CC

Directional Coupler | 380-2700 MHz | 4.3-10-Female



This model is available in iBwave Designer Version 6.0 and higher

ORDERING OPTIONS	3 dB COUPLER	6 dB COUPLER	10 dB COUPLER
MODEL NUMBER (xx)	ADC-03-WBS-LP-43F-CC	ADC-06-WBS-LP-43F-CC	ADC-10-WBS-LP-43F-CC
			

ELECTRICAL CHARACTERISTICS

FREQUENCY RANGE	380-2700 MHz	380-2700 MHz	380-2700 MHz
COUPLING	3 dB	6 dB	10 dB
COUPLING TOLERANCE	± 1.2 dB	± 1.2 dB	± 1.2 dB
INSERTION LOSS	≤ 3.6 dB	≤ 1.7 dB	≤ 0.7 dB
DISSIPATIVE LOSS (Typ.)	≤ 0.2 dB	≤ 0.15 dB	≤ 0.1 dB
DIRECTIVITY	≥ 20 dB	≥ 20 dB	≥ 20 dB
ISOLATION	≥ 23 dB	≥ 26 dB	≥ 30 dB
VSWR	≤ 1.25	≤ 1.25	≤ 1.25
AVERAGE POWER (Max.)	400 W	400 W	400 W
PEAK POWER (Max.)	1.3 kW	1.3 kW	1.3 kW
PIM3 (2x43 dBm)	≤ -153 dBc	≤ -153 dBc	≤ -153 dBc
IMPEDANCE	50 Ω	50 Ω	50 Ω

MECHANICAL CHARACTERISTICS

PLATING	INNER CONTACT	Silver	Silver	Silver
	OUTER TRIMETAL	Trimetal	Trimetal	Trimetal
CONNECTOR	4.3-10-Female			
COLOR	Black			
WEIGHT (Approx.)	0.66 kg [1.5 lb.]			
MOUNTING	ø4.5 mm [0.18 in.] (two holes)			




ENVIRONMENTAL CHARACTERISTIC

OPERATING TEMPERATURE	-35° C to +70° C [-31° F to +158° F]	-35° C to +70° C [-31° F to +158° F]	-35° C to +70° C [-31° F to +158° F]
RELATIVE HUMIDITY	Up to 95%		
RoHS COMPLIANT	Yes		
APPLICATION	Indoor / Outdoor		
IP RATING	IP 65		

Quoted performance parameters are provided to offer typical, peak or range values only and may vary as a result of normal testing, manufacturing and operational conditions. Extreme operational conditions and/or stress on structural supports is beyond our control. Such conditions may result in damage to this product. Improvements to products may be made without notice.

ADC-xx-WBS-LP-43F-CC

Directional Coupler | 380-2700 MHz | 4.3-10-Female

ORDERING OPTIONS	15 dB COUPLER	20 dB COUPLER	30 dB COUPLER
MODEL NUMBER (xx)	ADC-15-WBS-LP-43F-CC	ADC-20-WBS-LP-43F-CC	ADC-30-WBS-LP-43F-CC
			

ELECTRICAL CHARACTERISTICS

FREQUENCY RANGE	380-2700 MHz	380-2700 MHz	380-2700 MHz
COUPLING	15 dB	20 dB	30 dB
COUPLING TOLERANCE	± 1.2 dB	± 1.2 dB	± 1.2 dB
INSERTION LOSS	≤ 0.4 dB	≤ 0.3 dB	≤ 0.2 dB
DISSIPATIVE LOSS (Typ.)	≤ 0.1 dB	≤ 0.1 dB	≤ 0.1 dB
DIRECTIVITY	≥ 20 dB	≥ 20 dB	≥ 20 dB
ISOLATION	≥ 35 dB	≥ 40 dB	≥ 50 dB
VSWR	≤ 1.25	≤ 1.25	≤ 1.25
AVERAGE POWER (Max.)	400 W	400 W	400 W
PEAK POWER (Max.)	1.3 kW	1.3 kW	1.3 kW
PIM3 (2x43 dBm)	≤ -153 dBc	≤ -153 dBc	≤ -153 dBc
IMPEDANCE	50 Ω	50 Ω	50 Ω

MECHANICAL CHARACTERISTICS

PLATING	INNER CONTACT	Silver	Silver	Silver
	OUTER TRIMETAL	Trimetal	Trimetal	Trimetal
CONNECTOR		4.3-10-Female	4.3-10-Female	4.3-10-Female
COLOR		Black	Black	Black
WEIGHT (Approx.)		0.66 kg [1.5 lb.]	0.66 kg [1.5 lb.]	0.66 kg [1.5 lb.]
MOUNTING		ø4.5 mm [0.18 in.] (two holes)	ø4.5 mm [0.18 in.] (two holes)	ø4.5 mm [0.18 in.] (two holes)

ENVIRONMENTAL CHARACTERISTIC

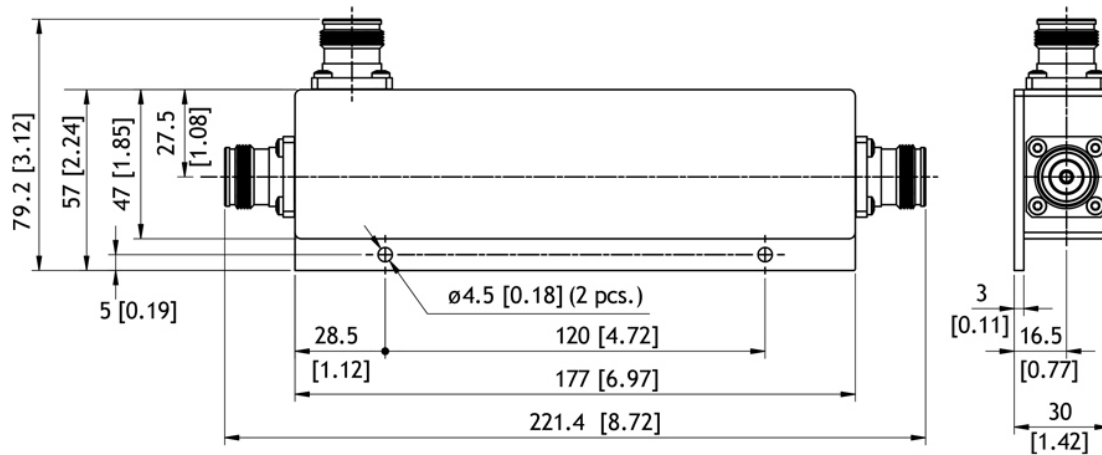
OPERATING TEMPERATURE	-35° C to +70° C [-31° F to +158° F]	-35° C to +70° C [-31° F to +158° F]	-35° C to +70° C [-31° F to +158° F]
RELATIVE HUMIDITY	Up to 95%	Up to 95%	Up to 95%
RoHS COMPLIANT	Yes	Yes	Yes
APPLICATION	Indoor / Outdoor	Indoor / Outdoor	Indoor / Outdoor
IP RATING	IP 65	IP 65	IP 65

Quoted performance parameters are provided to offer typical, peak or range values only and may vary as a result of normal testing, manufacturing and operational conditions. Extreme operational conditions and/or stress on structural supports is beyond our control. Such conditions may result in damage to this product. Improvements to products may be made without notice.

ADC-xx-WBS-LP-43F-CC

Directional Coupler | 380-2700 MHz | 4.3-10-Female

DIMENSIONAL DRAWING






All dimensions are given in mm [in.]

ADC-xx-WBM-LP-DF-CC

Directional Coupler | 698-2700 MHz | 7/16-DIN-Female



This model is available in iBwave Designer Version 6.0 and higher

ORDERING OPTIONS	3 dB COUPLER	6 dB COUPLER	10 dB COUPLER
MODEL NUMBER (xx)	ADC-03-WBM-LP-DF-CC	ADC-06-WBM-LP-DF-CC	ADC-10-WBM-LP-DF-CC
			

ELECTRICAL CHARACTERISTICS

FREQUENCY RANGE	698-2700 MHz	698-2700 MHz	698-2700 MHz
COUPLING	3 dB	6 dB	10 dB
COUPLING TOLERANCE	± 0.8 dB	± 0.8 dB	± 1.0 dB
INSERTION LOSS	≤ 3.6 dB	≤ 1.7 dB	≤ 0.7 dB
DISSIPATIVE LOSS (Typ.)	≤ 0.2 dB	≤ 0.15 dB	≤ 0.1 dB
DIRECTIVITY	≥ 20 dB	≥ 20 dB	≥ 20 dB
ISOLATION	≥ 23 dB	≥ 26 dB	≥ 30 dB
VSWR	≤ 1.20	≤ 1.20	≤ 1.20
AVERAGE POWER (Max.)	500 W	500 W	500 W
PEAK POWER (Max.)	1.5 kW	1.5 kW	1.5 kW
PIM3 (2x43 dBm)	≤ -153 dBc	≤ -153 dBc	≤ -153 dBc
IMPEDANCE	50 Ω	50 Ω	50 Ω

MECHANICAL CHARACTERISTICS

PLATING	INNER CONTACT	Silver	Silver	Silver
	OUTER TRIMETAL	Trimetal	Trimetal	Trimetal
CONNECTOR		7/16-DIN-Female	7/16-DIN-Female	7/16-DIN-Female
COLOR		Black	Black	Black
WEIGHT (Approx.)		0.75 kg [1.65 lb.]	0.75 kg [1.65 lb.]	0.75 kg [1.65 lb.]
MOUNTING		ø5.5 mm [0.22 in.] (two holes)	ø5.5 mm [0.22 in.] (two holes)	ø5.5 mm [0.22 in.] (two holes)




ENVIRONMENTAL CHARACTERISTIC

OPERATING TEMPERATURE	-35° C to +70° C [-31° F to +158° F]	-35° C to +70° C [-31° F to +158° F]	-35° C to +70° C [-31° F to +158° F]
RELATIVE HUMIDITY	Up to 95%	Up to 95%	Up to 95%
RoHS COMPLIANT	Yes	Yes	Yes
APPLICATION	Indoor / Outdoor	Indoor / Outdoor	Indoor / Outdoor
IP RATING	IP 65	IP 65	IP 65

Quoted performance parameters are provided to offer typical, peak or range values only and may vary as a result of normal testing, manufacturing and operational conditions. Extreme operational conditions and/or stress on structural supports is beyond our control. Such conditions may result in damage to this product. Improvements to products may be made without notice.

ADC-xx-WBM-LP-DF-CC

Directional Coupler | 698-2700 MHz | 7/16-DIN-Female

ORDERING OPTIONS	15 dB COUPLER	20 dB COUPLER	30 dB COUPLER
MODEL NUMBER (xx)	ADC-15-WBM-LP-DF-CC	ADC-20-WBM-LP-DF-CC	ADC-30-WBM-LP-DF-CC
			

ELECTRICAL CHARACTERISTICS

FREQUENCY RANGE	698-2700 MHz	698-2700 MHz	698-2700 MHz
COUPLING	15 dB	20 dB	30 dB
COUPLING TOLERANCE	± 1.0 dB	± 1.0 dB	± 1.2 dB
INSERTION LOSS	≤ 0.4 dB	≤ 0.2 dB	≤ 0.2 dB
DISSIPATIVE LOSS (Typ.)	≤ 0.1 dB	≤ 0.1 dB	≤ 0.1 dB
DIRECTIVITY	≥ 20 dB	≥ 20 dB	≥ 20 dB
ISOLATION	≥ 35 dB	≥ 40 dB	≥ 50 dB
VSWR	≤ 1.20	≤ 1.20	≤ 1.20
AVERAGE POWER (Max.)	500 W	500 W	500 W
PEAK POWER (Max.)	1.5 kW	1.5 kW	1.5 kW
PIM3 (2x43 dBm)	≤ -153 dBc	≤ -153 dBc	≤ -153 dBc
IMPEDANCE	50 Ω	50 Ω	50 Ω

MECHANICAL CHARACTERISTICS

PLATING	INNER CONTACT	Silver	Silver	Silver
	OUTER TRIMETAL	Trimetal	Trimetal	Trimetal
CONNECTOR		7/16-DIN-Female	7/16-DIN-Female	7/16-DIN-Female
COLOR		Black	Black	Black
WEIGHT (Approx.)		0.75 kg [1.65 lb.]	0.75 kg [1.65 lb.]	0.75 kg [1.65 lb.]
MOUNTING		ø5.5 mm [0.22 in.] (two holes)	ø5.5 mm [0.22 in.] (two holes)	ø5.5 mm [0.22 in.] (two holes)

ENVIRONMENTAL CHARACTERISTIC

OPERATING TEMPERATURE	-35° C to +70° C [-31° F to +158° F]	-35° C to +70° C [-31° F to +158° F]	-35° C to +70° C [-31° F to +158° F]
RELATIVE HUMIDITY	Up to 95%	Up to 95%	Up to 95%
RoHS COMPLIANT	Yes	Yes	Yes
APPLICATION	Indoor / Outdoor	Indoor / Outdoor	Indoor / Outdoor
IP RATING	IP 65	IP 65	IP 65

Quoted performance parameters are provided to offer typical, peak or range values only and may vary as a result of normal testing, manufacturing and operational conditions. Extreme operational conditions and/or stress on structural supports is beyond our control. Such conditions may result in damage to this product. Improvements to products may be made without notice.

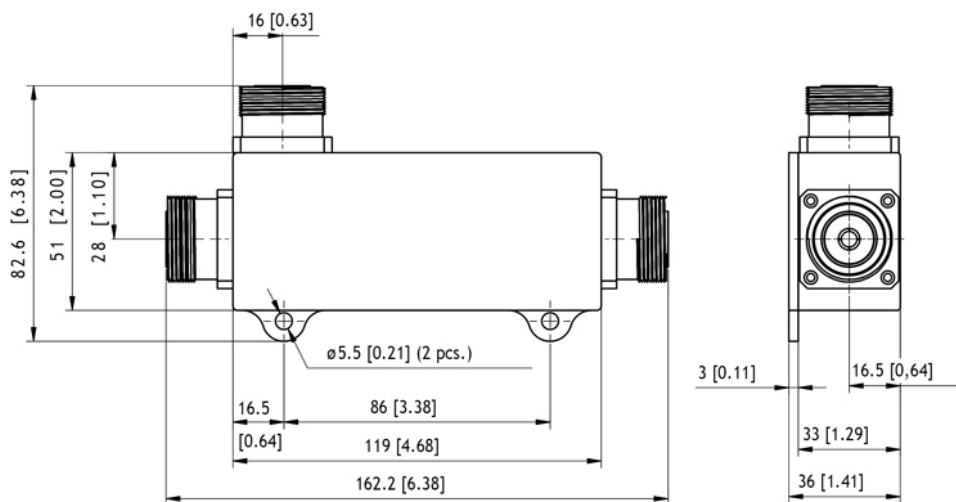
ADC-xx-WBM-LP-DF-CC

Directional Coupler | 698-2700 MHz | 7/16-DIN-Female

DIMENSIONAL DRAWINGS

ADC-03-WBM-LP-DF-CC

ADC-06-WBM-LP-DF-CC



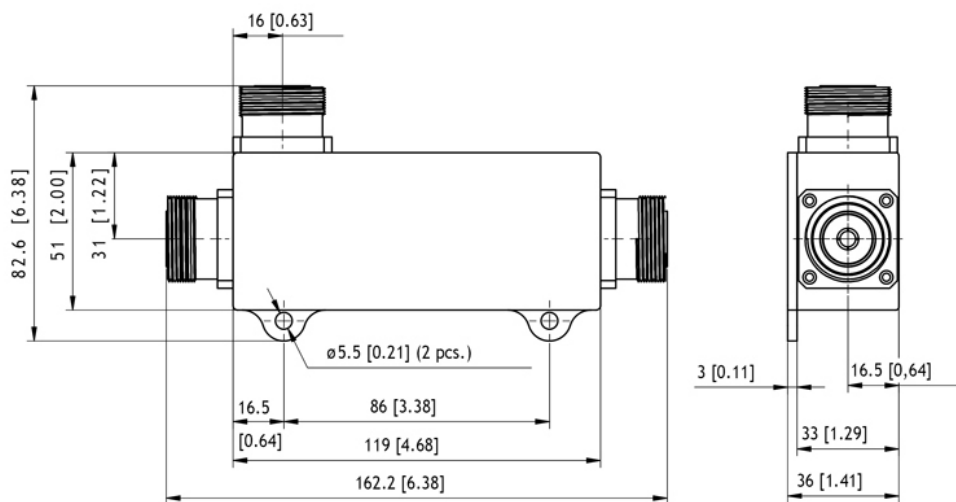
All dimensions are given in mm [in.]

ADC-10-WBM-LP-DF-CC

ADC-15-WBM-LP-DF-CC

ADC-20-WBM-LP-DF-CC

ADC-30-WBM-LP-DF-CC






All dimensions are given in mm [in.]

Quoted performance parameters are provided to offer typical, peak or range values only and may vary as a result of normal testing, manufacturing and operational conditions. Extreme operational conditions and/or stress on structural supports is beyond our control. Such conditions may result in damage to this product. Improvements to products may be made without notice.

ADC-xx-WBM-LP-43F-CC

Directional Coupler | 698-2700 MHz | 4.3-10-Female

ORDERING OPTIONS	15 dB COUPLER	20 dB COUPLER	30 dB COUPLER
MODEL NUMBER (xx)	ADC-03-WBM-LP-43F-CC	ADC-06-WBM-LP-43F-CC	ADC-10-WBM-LP-43F-CC
			

ELECTRICAL CHARACTERISTICS			
FREQUENCY RANGE	698-2700 MHz	698-2700 MHz	698-2700 MHz
COUPLING	15 dB	20 dB	30 dB
COUPLING TOLERANCE	± 1.0 dB	± 1.0 dB	± 1.2 dB
INSERTION LOSS	≤ 0.4 dB	≤ 0.3 dB	≤ 0.2 dB
DISSIPATIVE LOSS (Typ.)	≤ 0.1 dB	≤ 0.1 dB	≤ 0.1 dB
DIRECTIVITY	≥ 20 dB	≥ 20 dB	≥ 20 dB
ISOLATION	≥ 35 dB	≥ 40 dB	≥ 50 dB
VSWR	≤ 1.20	≤ 1.20	≤ 1.20
AVERAGE POWER (Max.)	400 W	400 W	400 W
PEAK POWER (Max.)	1.3 kW	1.3 kW	1.3 kW
PIM3 (2x43 dBm)	≤ -153 dBc	≤ -153 dBc	≤ -153 dBc
IMPEDANCE	50 Ω	50 Ω	50 Ω

MECHANICAL CHARACTERISTICS				
PLATING	INNER CONTACT	Silver	Silver	Silver
	OUTER TRIMETAL	Trimetal	Trimetal	Trimetal
CONNECTOR		4.3-10-Female	4.3-10-Female	4.3-10-Female
COLOR		Black	Black	Black
WEIGHT (Approx.)		0.56 kg [1.23 lb.]	0.56 kg [1.23 lb.]	0.56 kg [1.23 lb.]
MOUNTING		ø5.5 mm [0.22 in.] (two holes)	ø5.5 mm [0.22 in.] (two holes)	ø5.5 mm [0.22 in.] (two holes)

ENVIRONMENTAL CHARACTERISTIC			
OPERATING TEMPERATURE	-35° C to +70° C [-31° F to +158° F]	-35° C to +70° C [-31° F to +158° F]	-35° C to +70° C [-31° F to +158° F]
RELATIVE HUMIDITY	Up to 95%	Up to 95%	Up to 95%
RoHS COMPLIANT	Yes	Yes	Yes
APPLICATION	Indoor / Outdoor	Indoor / Outdoor	Indoor / Outdoor
IP RATING	IP 65	IP 65	IP 65

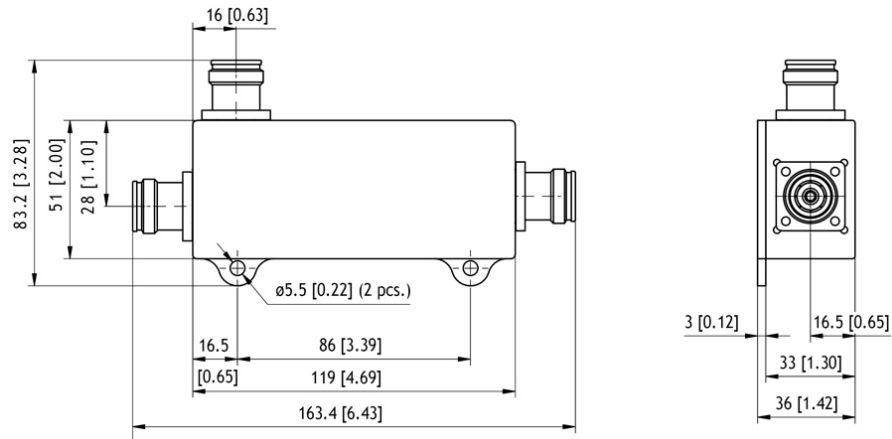
Quoted performance parameters are provided to offer typical, peak or range values only and may vary as a result of normal testing, manufacturing and operational conditions. Extreme operational conditions and/or stress on structural supports is beyond our control. Such conditions may result in damage to this product. Improvements to products may be made without notice.

ADC-xx-WBM-LP-43F-CC

Directional Coupler | 698-2700 MHz | 4.3-10-Female

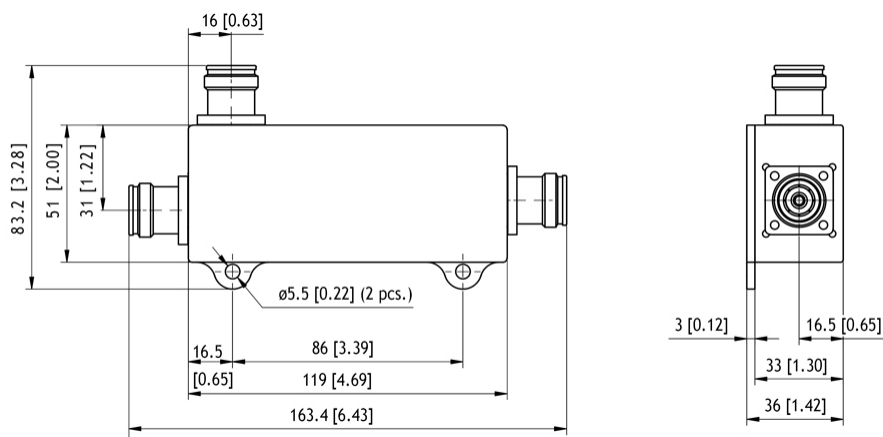
DIMENSIONAL DRAWINGS

ADC-03-WBM-LP-43F-CC
ADC-06-WBM-LP-43F-CC



All dimensions are given in mm [in.]

ADC-10-WBM-LP-43F-CC
ADC-15-WBM-LP-43F-CC
ADC-20-WBM-LP-43F-CC
ADC-30-WBM-LP-43F-CC



All dimensions are given in mm [in.]

Quoted performance parameters are provided to offer typical, peak or range values only and may vary as a result of normal testing, manufacturing and operational conditions. Extreme operational conditions and/or stress on structural supports is beyond our control. Such conditions may result in damage to this product. Improvements to products may be made without notice.